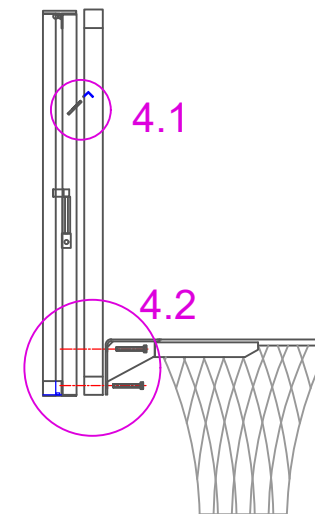
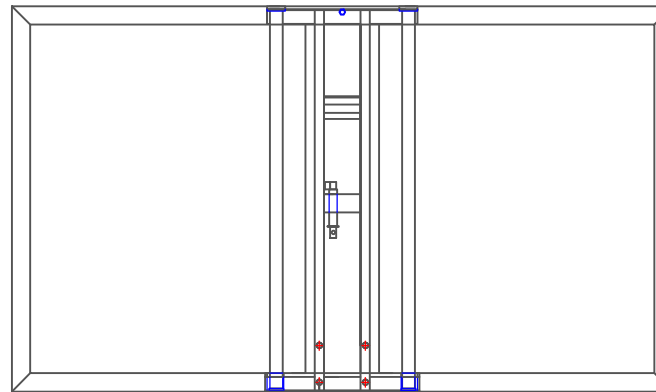
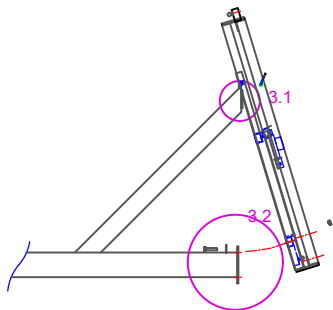
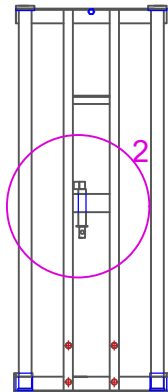
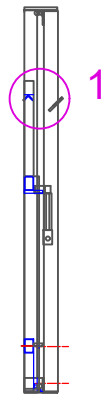


# ASSEMBLY INSTRUCTIONS



## **ASSEMBLY INSTRUCTIONS ON ATTACHING FRAME TO THE EXTENSION ARM:**

1. IDENTIFY THE SIDE OF THE SHF ADJUSTABLE BASKETBALL FRAME THAT CONNECTS TO THE OUTREACH ARM AND BACKBOARD
  - 1.1. THE SIDE CONNECTING TO THE OUTREACH ARM HAS AN "L"-SHAPED ANGLE STEEL AT THE TOP
  - 1.2. THE SIDE CONNECTING TO THE BACKBOARD HAS AN "I" SHAPED PIECE OF FLAT STEEL AT THE TOP
2. TWIST THE LOCKING PIN AND LOWER THE SHF FRAME TO IT'S LOWEST POSITION
3. CONNECT THE SHF FRAME TO THE OUTREACH ARM
  - 3.1. PLACE THE "L" SHAPED ANGLE SECTION OVER THE EXTENDED "I" PIECE OF FLAT STEEL
  - 3.2. ALLOW THE SHF FRAME TO SWING DOWN SLOWLY
  - 3.3. SECURE IN PLACE WITH 2 X 45 MM M10 HEX HEAD BOLTS, FLAT WASHER AND NYLOC NUT
4. CONNECT THE SHF FRAME TO THE BACKBOARD
  - 4.1. SLIDE THE BACKBOARD FRAME DOWN THE CENTER OF THE SHS FRAME SO THE ANGLE CATCHES ON THE OUTCROPPING FLAT STEEL
  - 4.2. SECURE THE BACKBOARD AND RING IN PLACE BY BOLTING WITH 4 X 125 MM M10 BOLTS AND WASHER.

TITLE: HEIGHT ADJUSTABLE FRAME FOR MULTIPLAY BASKETBALL SYSTEM	
DRAWING NUMBER: ASSEMBLY INSTRUCTIONS	
WEIGHT: -	CUBIC MEASURE -



**Oz Ring Pty Ltd**  
Trading as:  
**Play Hard Sports Equipment**  
ABN 79 066 094 559  
24 Ern Harley Drive  
Burleigh Heads Qld 4220  
Phone: (07) 5593 4494  
Fax: (07) 5593 4338  
Website: [www.playhardsports.com.au](http://www.playhardsports.com.au)  
Email: [email@playhardsports.com.au](mailto:email@playhardsports.com.au)