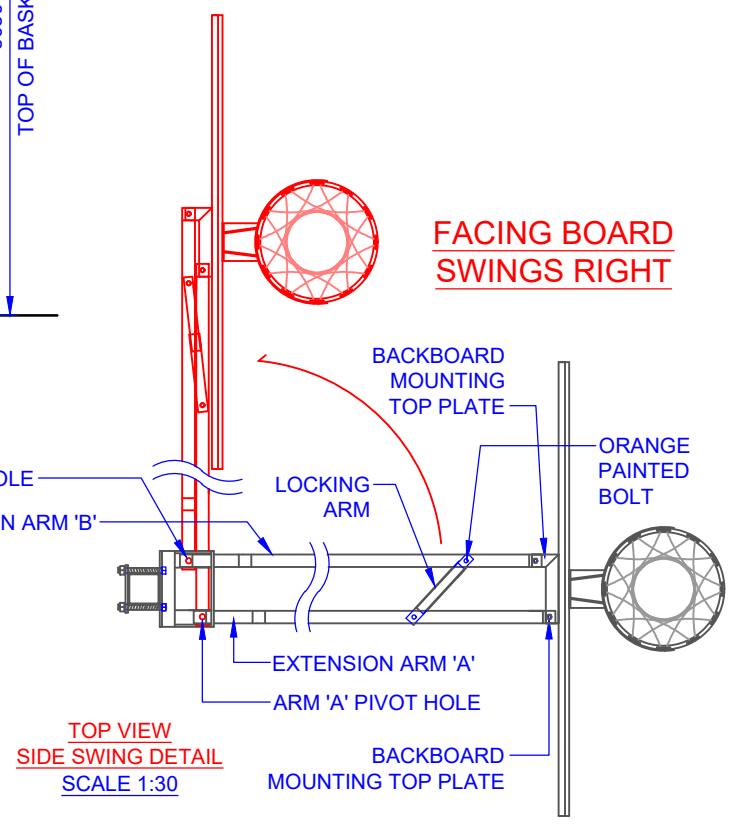
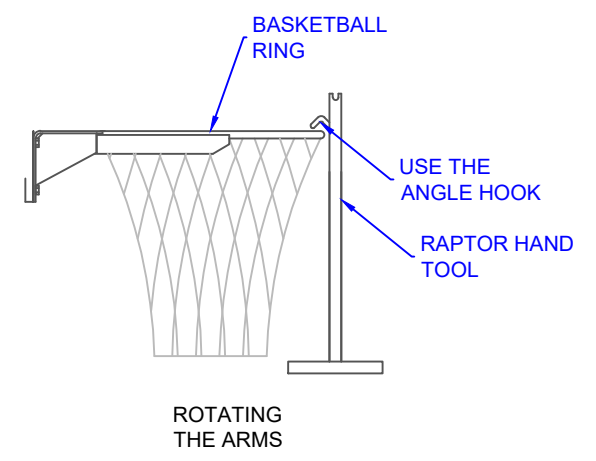
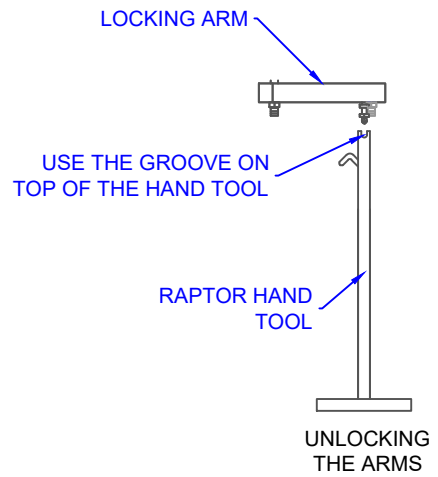
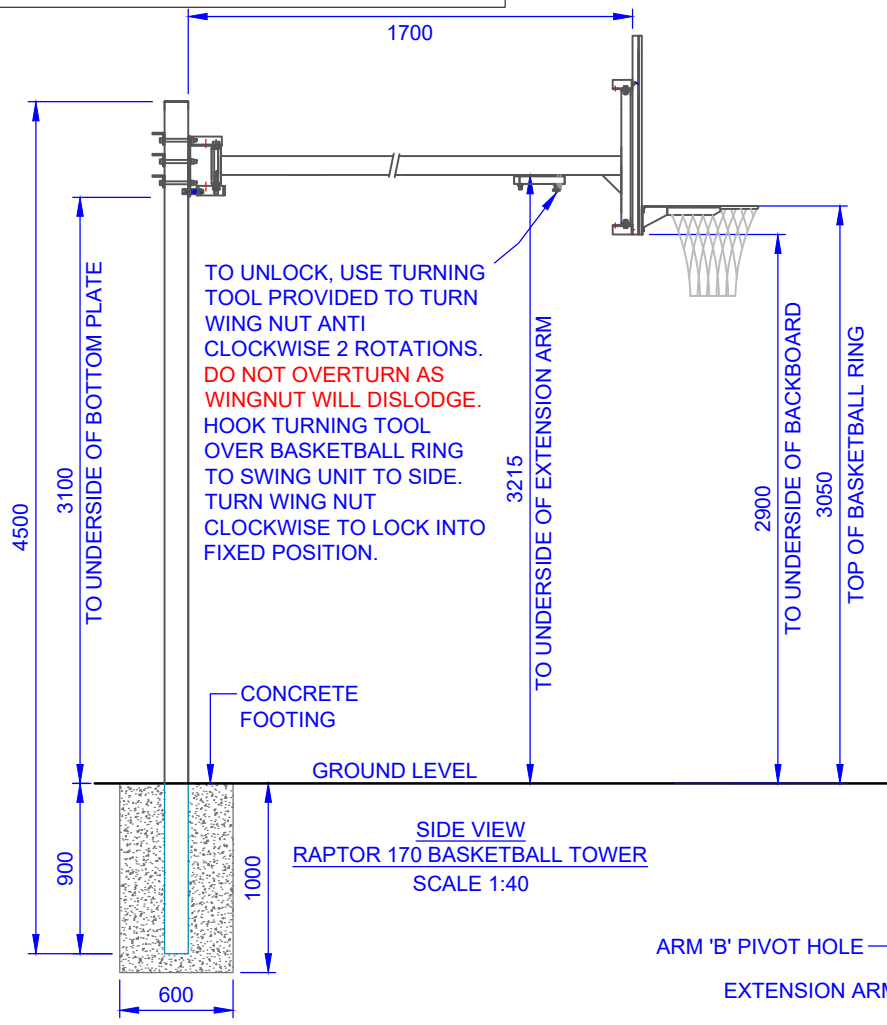


# ASSEMBLY INSTRUCTIONS



TITLE:		RAPTOR 170 SIDE-SWING BASKETBALL TOWER	
DRAWING NUMBER:		RAPTOR 170 ASSEMBLY SHEET 2 OF 2	
WEIGHT:	-	DATE:	05/10/2023



Oz Ring Pty Ltd  
 Trading as:  
**Play Hard Sports Equipment**  
 ABN 79 066 094 559  
 24 Ern Harley Drive  
 Burleigh Heads Qld 4220  
 Phone: (07) 5593 4494  
 Fax: (07) 5593 4338  
 Website: [www.playhardsports.com.au](http://www.playhardsports.com.au)  
 Email: [email@playhardsports.com.au](mailto:email@playhardsports.com.au)