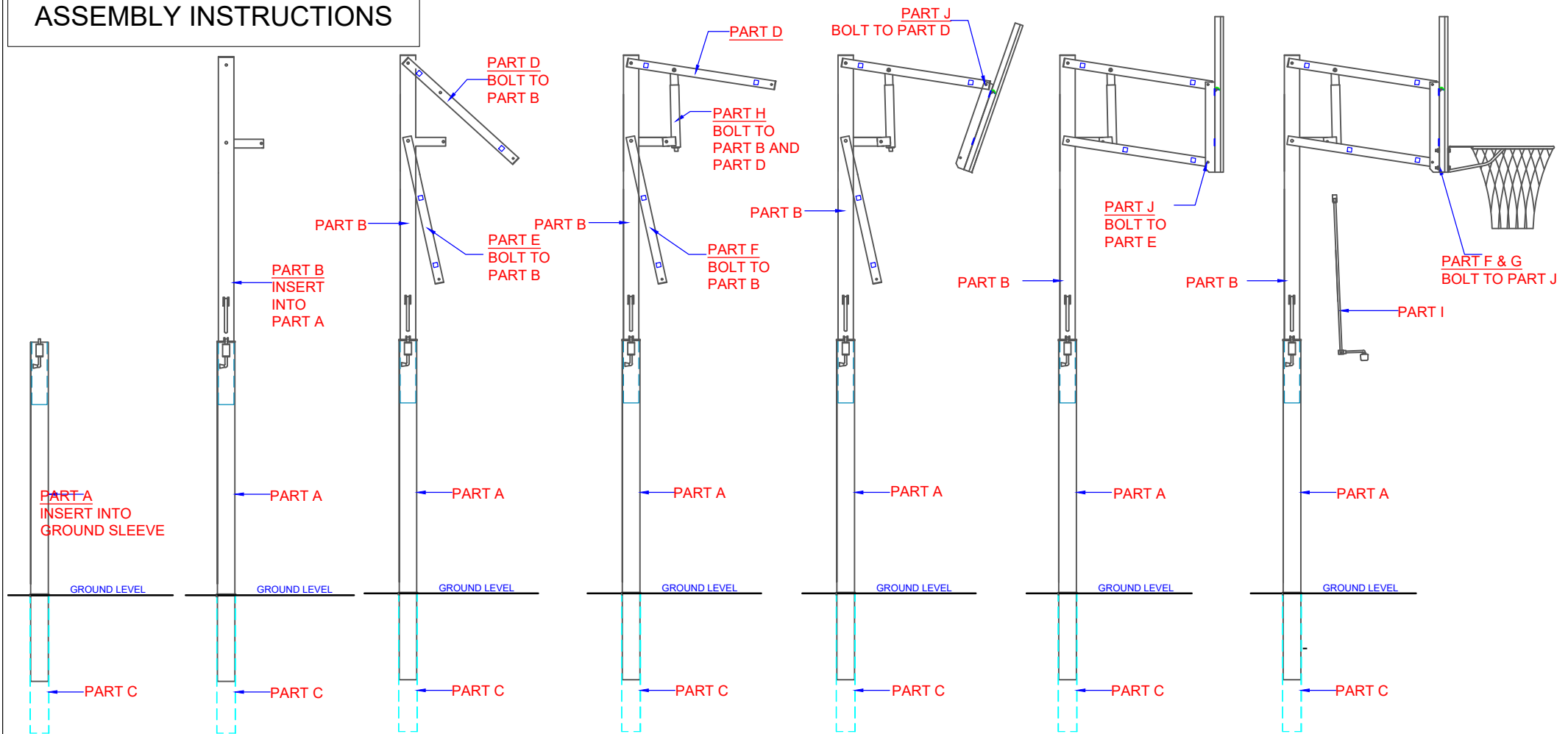
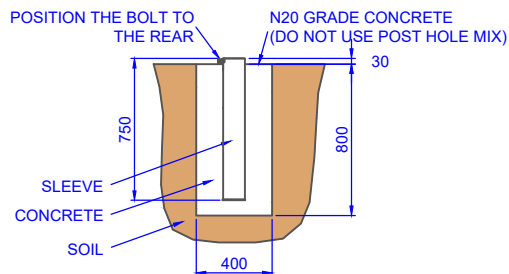


# ASSEMBLY INSTRUCTIONS



USE A SPIRIT LEVEL TO MAKE SURE THE SLEEVE IS VERTICAL

CENTRE OF SLEEVE TO BACKBOARD DISTANCE IS APPROX. 750MM



TITLE:

**POWER PRO BASKETBALL TOWER**

DRAWING NUMBER:

POWER PRO ASSEMBLY 2 OF 3



**Oz Ring Pty Ltd**

Trading as:

**Play Hard Sports Equipment**

ABN 79 066 094 559

24 Ern Harley Drive

Burleigh Heads Qld 4220

Phone: (07) 5593 4494

Fax: (07) 5593 4338

Website: [www.playhardsports.com.au](http://www.playhardsports.com.au)

Email: [email@playhardsports.com.au](mailto:email@playhardsports.com.au)