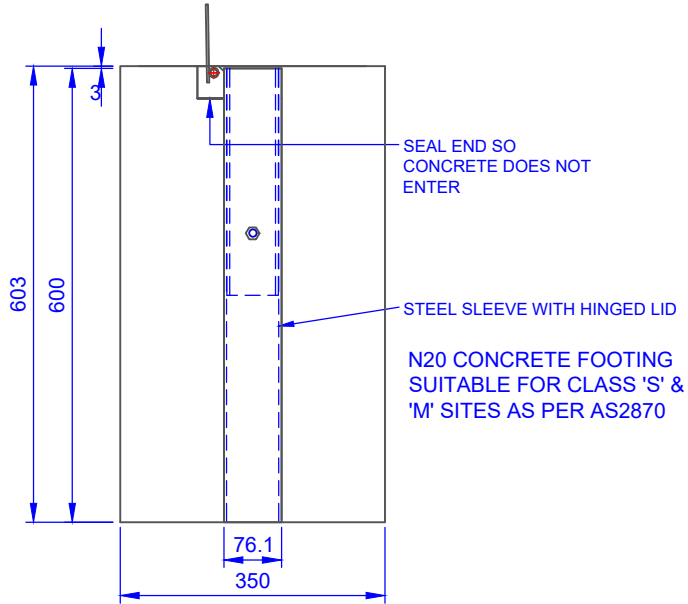
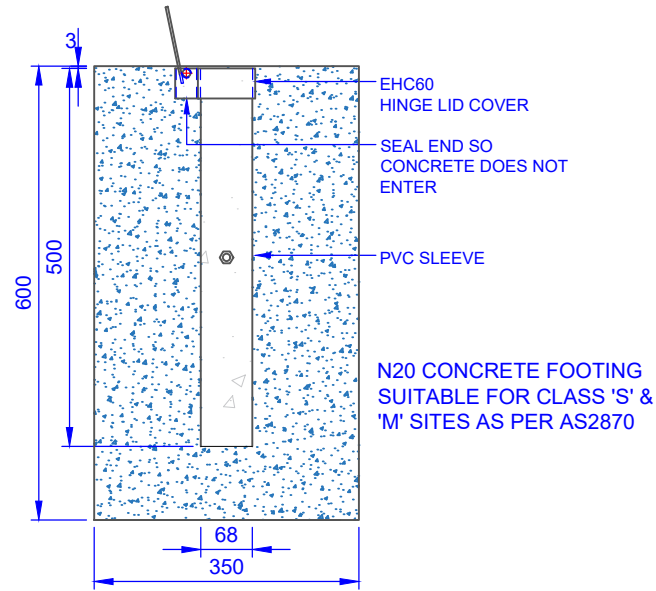


NOTE:  
THE SLEEVE SHOULD BE SET 3MM BELOW  
SURFACE LEVEL TO ALLOW THE LID TO SIT  
FLUSH WITH THE SURFACE.



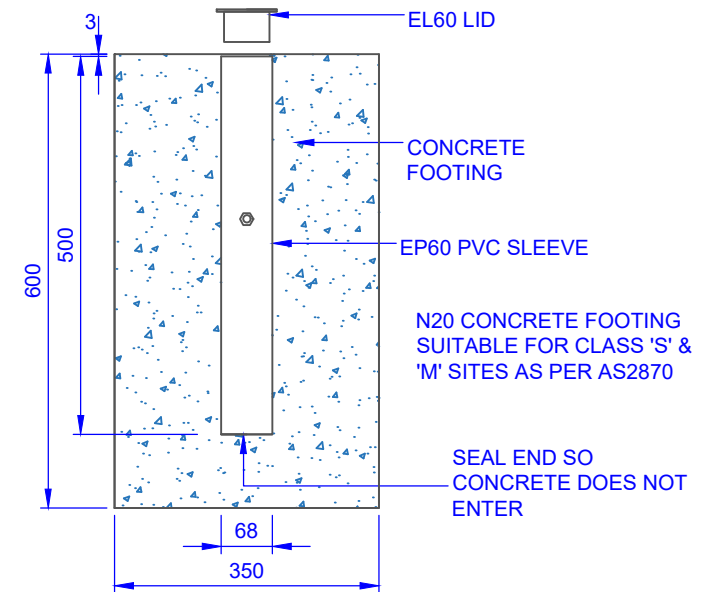
SLEEVE OPTION:  
EHC60p PVC SLEEVE WITH HINGED CAP

NOTE:  
THE SLEEVE SHOULD BE SET 3MM BELOW  
SURFACE LEVEL TO ALLOW THE LID TO SIT  
FLUSH WITH THE SURFACE.



SLEEVE OPTION:  
EHC60s STEEL SLEEVE WITH HINGED CAP

NOTE:  
THE SLEEVE SHOULD BE SET 3MM BELOW  
SURFACE LEVEL TO ALLOW THE LID TO SIT  
FLUSH WITH THE SURFACE.



SLEEVE OPTION:  
EP60 PVC SLEEVE WITH EL60 LOOSE CAP

TITLE:  
**NS60Tc NETBALL TOWER**

DRAWING NUMBER:  
**FOOTING DETAILS**



**Oz Ring Pty Ltd**  
Trading as:  
**Play Hard Sports Equipment**  
ABN 79 066 094 559  
24 Ern Harley Drive  
Burleigh Heads Qld 4220  
Phone: (07) 5593 4494  
Fax: (07) 5593 4338  
Website: [www.playhardsports.com.au](http://www.playhardsports.com.au)  
Email: [email@playhardsports.com.au](mailto:email@playhardsports.com.au)

QTY	ITEM DESCRIPTION
1	BASE POLE (1.74M LONG)
1	TELESCOPIC POLE (1.89M LONG)
1	NR60 NETBALL RING
1	NETBALL NET, CORD & INSTRCUTIONS
1	M12 X 20 MM LOBE KNOB
1	NS60T COLLAR
2	M8 X 30 MM S/S SOCKET HEADED COUNTERSINK CAP SCREWS
<b>OPTIONS FOR SLEEVES</b>	
1	EP60 SLEEVE AND EL60 CAP
1	EHC60p PVC SLEEVE WITH HINGED CAP
1	EHC60s STEEL SLEEVE WITH HINGED CAP