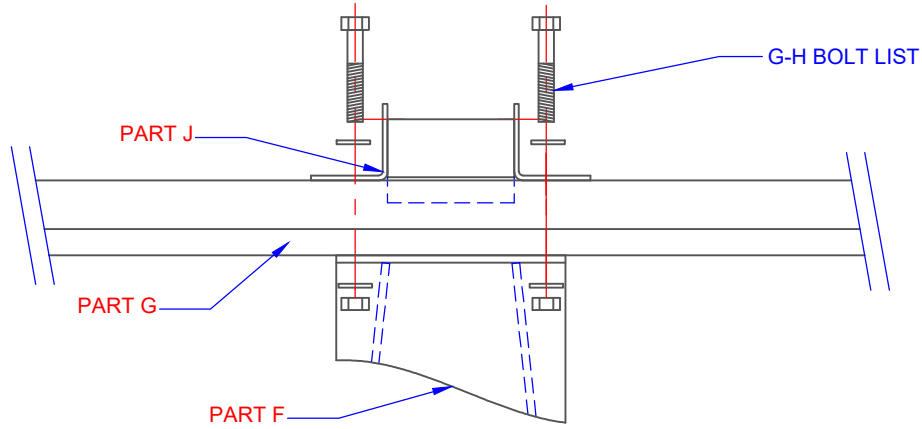
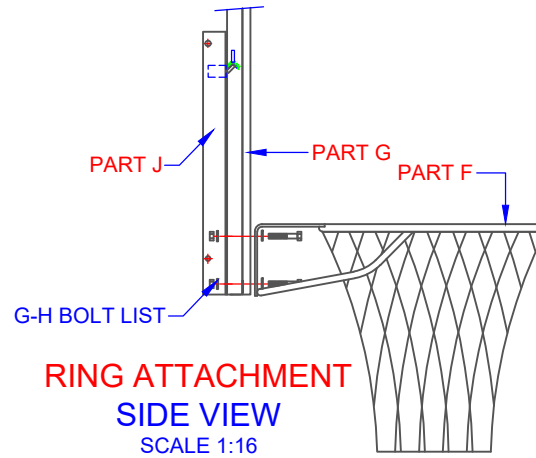


# ASSEMBLY INSTRUCTIONS

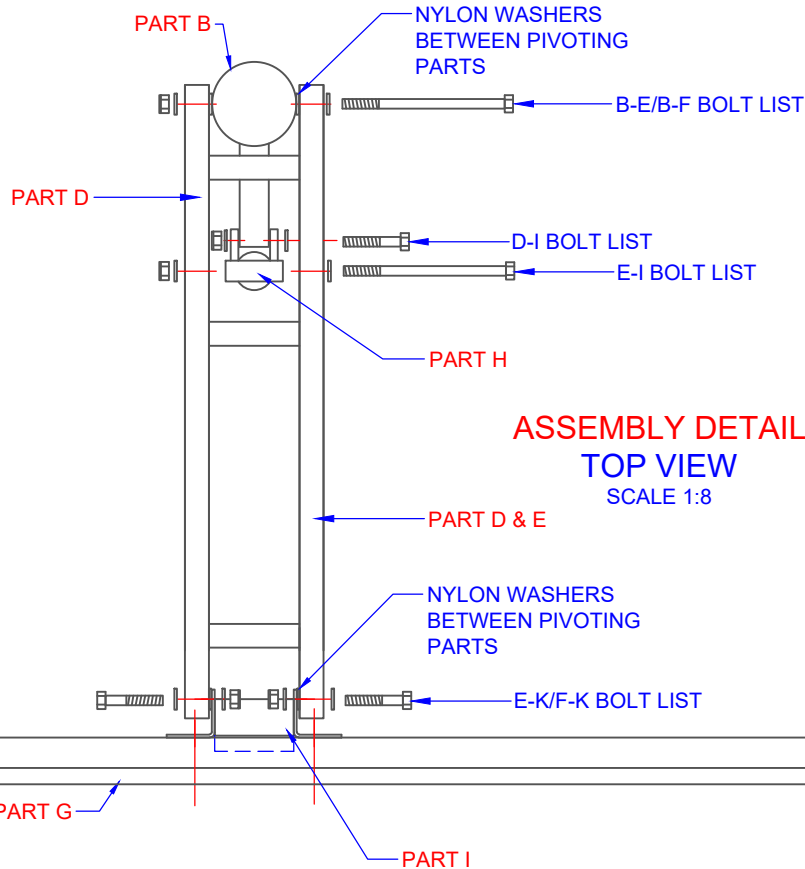
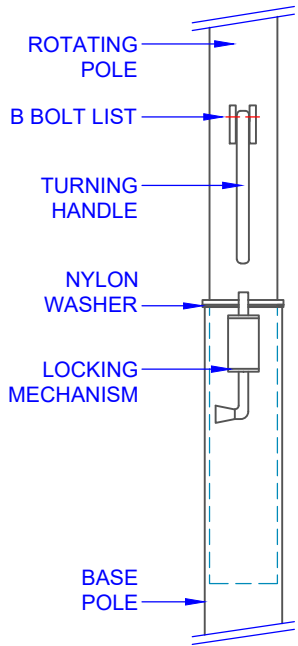
NOTE:  
DO NOT OVER TIGHTEN NYLOC NUTS. THEY SHOULD  
BE TIGHTENED TO REDUCE PLAY BUT STILL ALLOW  
THE PIVOTING PARTS TO MOVE WITHOUT TENSION.




**BACKBOARD FRAME & BRACKETS**  
TOP VIEW  
SCALE 1:5



**RING ATTACHMENT**  
SIDE VIEW  
SCALE 1:16



**ASSEMBLY DETAIL**  
TOP VIEW  
SCALE 1:8

TITLE: <b>GAME CHANGER BASKETBALL TOWER</b>	
DRAWING NUMBER: <b>GAME CHANGER ASSEMBLY 3 OF 3</b>	
WEIGHT: -	CUBIC MEASURE
	

**Oz Ring Pty Ltd**  
Trading as:  
**Play Hard Sports Equipment**  
ABN 79 066 094 559  
24 Ern Harley Drive  
Burleigh Heads Qld 4220  
Phone: (07) 5593 4494  
Fax: (07) 5593 4338  
Website: [www.playhardsports.com.au](http://www.playhardsports.com.au)  
Email: [email@playhardsports.com.au](mailto:email@playhardsports.com.au)